

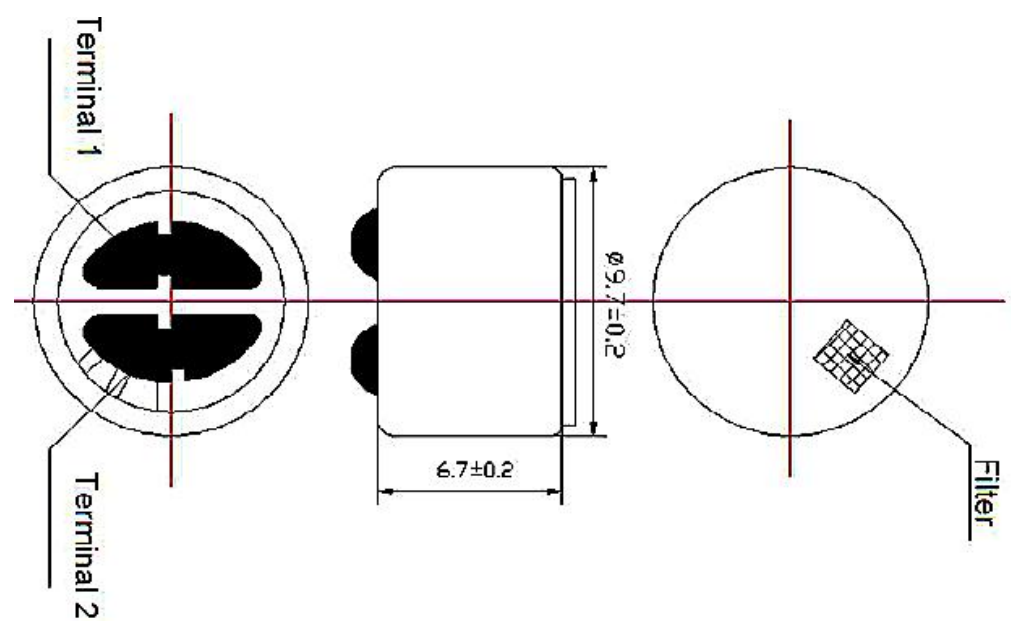
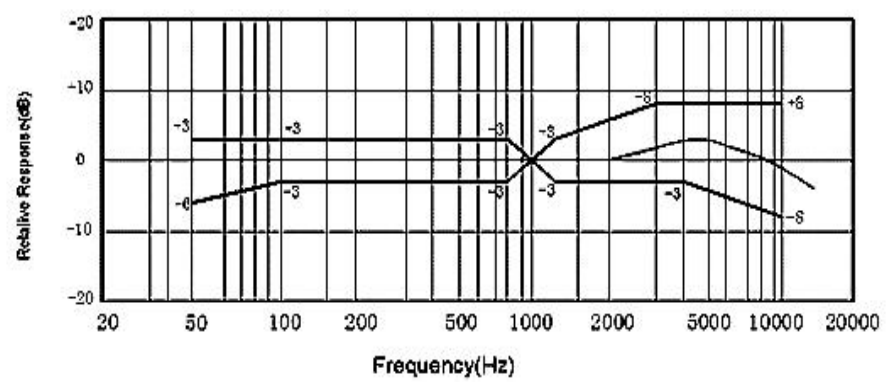
SPECIFICATION		
1	Model No.	EMC9767(9765)
2	Size	Φ9.7X6.7mm
3	Sensitivity	-40dB+/-2 dB
4	Impedance	2.2K OHM
5	Directivity	Omni-directional
6	Current Consumption	500μA
7	Operation Voltage Range	4.5V(1.0~10.0)
8	S/N Ratio	40 dB Min
9	Decreasing Voltage Characteristic	-3 dB

THIS DOCUMENT CONTAINS DATE
 PROPRIETARY TO PROJECTS CHANGZHOU ESUNTECH
 CO LTD. ANY USE OR REPRODUCTION,IN ANY FORM,
 WITHOUT PRIOR WRITTEN PERMISSION OF
 PROJECTS CHANGZHOU ESUNTECH CO LTD
 IS PROHIBITED.
 ©2003,Project Changzhou Esuntech Co Ltd

REVISION HISTORY			
LTR	DESCRIPTION	DATE	APPROVED
-	RELEASED FROM ENGINEERING	9/23/2003	Y M
A			
B			
C			



f=1KHz,S.P.L=1μBar,VS=4.5-3.0V,Distortion<1%



NOTES:
 1.ALL DIMENSIONS ARE IN MILLIMETERS
 2.SPECIFICATIONS SUBJECT TO CHANGE WITHOUT NOTICE

UNLESS OTHERWISE SPECIFIED, DIMENSIONS ARE IN MILLIMETERS TOLERANCES ARE +/-0.5 AND ANGLES ARE +/-3°	SIZE	Designed by	Date	Checked by	Date	Approved by	Date	Drawed date
	A4			EMC9767(9765)				
	EMC9767(9765)			http://www.esuntech.com.cn		C/MIC	Edition	