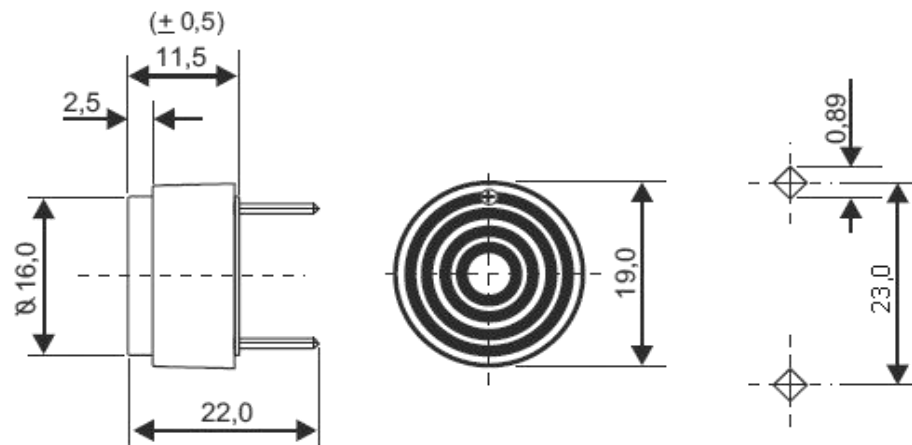
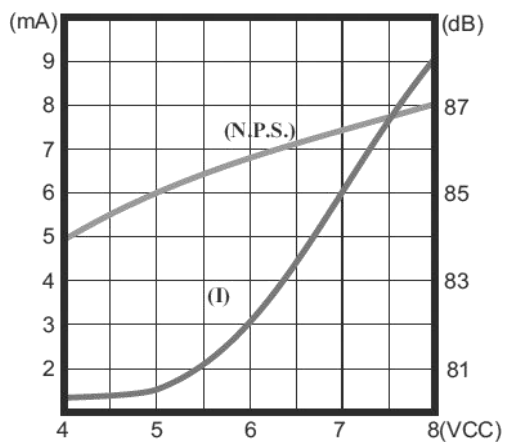



| SPECIFICATION | | |
|---------------|----------------------------|------------------------|
| 1 | Model No. | EPB2310B-05-4.5-15.0-R |
| 2 | Rated Voltage (VDC) | 5 |
| 3 | Operating Voltage (VDC) | 3~9 |
| 4 | *Resonant Frequency (Hz) | 4500±500 |
| 5 | *Sound Output at 10cm (dB) | ≥85 CONTINUOUS |
| 6 | *Current Consumption (mA) | ≤15 |
| 7 | Operating Temperature (°C) | -20~+70 |
| 8 | Storage Temperature (°C) | -30~+70 |
| 9 | Weight (g) | 4 |
| 10 | Housing Material: | ABS |
| 11 | Rohs | Yes |

THIS DOCUMENT CONTAINS DATE
 PROPRIETARY TO PROJECTS CHANGZHOU ESUNTECH
 CO LTD. ANY USE OR REPRODUCTION, IN ANY FORM,
 WITHOUT PRIOR WRITTEN PERMISSION OF
 PROJECTS CHANGZHOU ESUNTECH CO LTD
 IS PROHIBITED.
 ©2003, Project Changzhou Esuntech Co Ltd

| REVISION HISTORY | | | |
|------------------|---------------------------|-----------|----------|
| LTR | DESCRIPTION | DATE | APPROVED |
| - | RELEASED FROM ENGINEERING | 9/23/2003 | Y M |
| A | | | |
| B | | | |
| C | | | |



NOTES:
 1. ALL DIMENSIONS ARE IN MILLIMETERS
 2. SPECIFICATIONS SUBJECT TO CHANGE WITHOUT NOTICE

| SIZE | Designed by | Date | Checked by | Date | Approved by | Date | Drawn date |
|------|---|------|------------|------|------------------------|---------|------------|
| A4 |  Changzhou Esuntech Co., Ltd http://www.esuntech.com.cn | | | | EPB2310B-05-4.5-15.0-R | | |
| | | | | | BUZZER | Edition | Sheet |