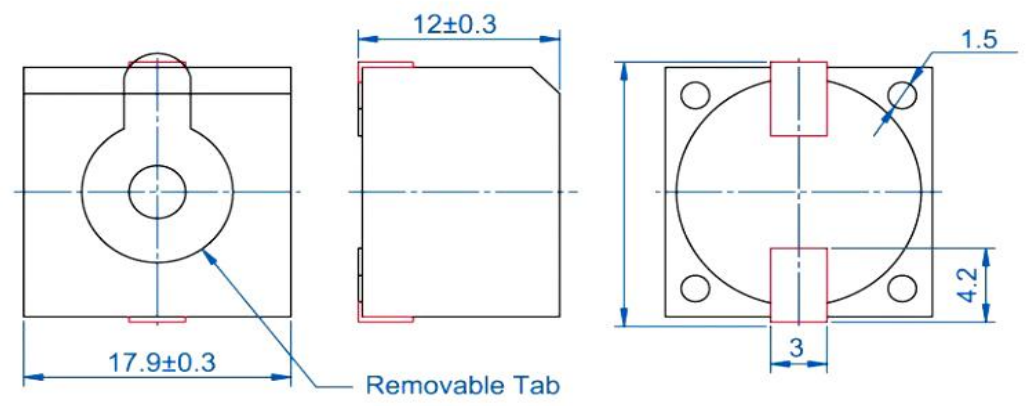
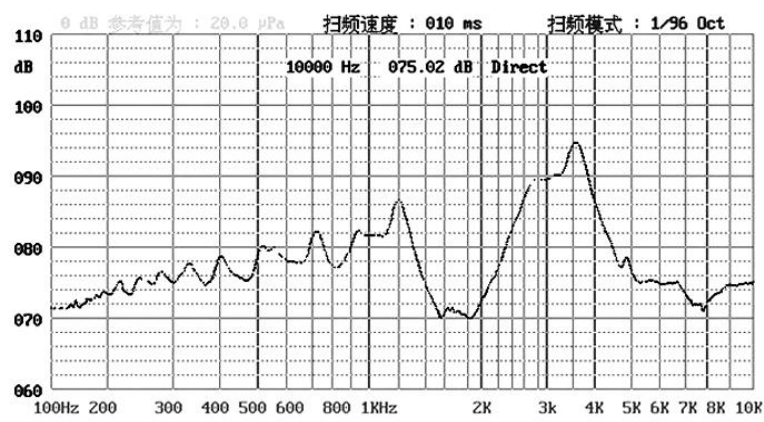



SPECIFICATION		
1	Model No.	EPT1812S-HS-10-3.0-28-LAB-R
2	Rated Voltage (Vp-p)	5
3	Operating Voltage (Vp-p)	1~25
4	Resonant Frequency (Hz)	3000±500
5	Static Capacitance at1KHz (PF)	28000±30%
6	*Sound Output at 10cm (dB)	≥86
7	*Current Consumption (mA)	≤5
8	Operating Temperature (°C)	-20~+70
9	Storage Temperature (°C)	-30~+80
10	Weight (g)	2
11	Housing Material	
12	RoHS	Yes

THIS DOCUMENT CONTAINS DATE
 PROPRIETARY TO PROJECTS CHANGZHOU ESUNTECH
 CO LTD. ANY USE OR REPRODUCTION,IN ANY FORM,
 WITHOUT PRIOR WRITTEN PERMISSION OF
 PROJECTS CHANGZHOU ESUNTECH CO LTD
 IS PROHIBITED.
 ©2003,Project Changzhou Esuntech Co Ltd

REVISION HISTORY			
LTR	DESCRIPTION	DATE	APPROVED
-	RELEASED FROM ENGINEERING	9/23/2003	Y M
A			
B			
C			



NOTES:
 1.ALL DIMENSIONS ARE IN MILLIMETERS
 2.SPECIFICATIONS SUBJECT TO CHANGE
 WITHOUT NOTICE

SIZE	Designed by	Date	Checked by	Date	Approved by	Date	Drawed date
	A4	 Changzhou Esuntech Co.,Ltd http://www.esuntech.com.cn			EPT1812S-HS-10-3.0-28-LAB-R		
	TRANSDUCER				Edition	Sheet	