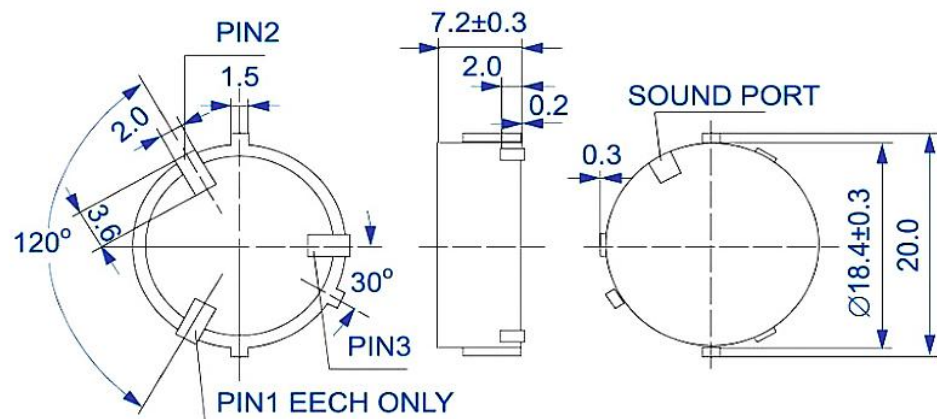
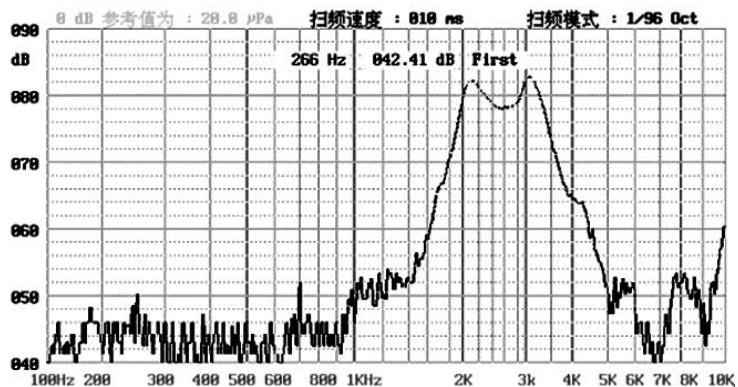


| SPECIFICATION | | |
|---------------|--------------------------------|--------------------------|
| 1 | Model No. | EPT1870S-HS-3.6-2.0-25-R |
| 2 | Rated Voltage (Vp-p) | 3.6 |
| 3 | Operating Voltage (Vp-p) | 1~25 |
| 4 | Resonant Frequency (Hz) | 2000±500 |
| 5 | Static Capacitance at1KHz (PF) | 25000±30% |
| 6 | *Sound Output at 10cm (dB) | ≥75 |
| 7 | *Current Consumption (mA) | ≤8 |
| 8 | Operating Temperature (°C) | -20~+70 |
| 9 | Storage Temperature (°C) | -30~+85 |
| 10 | Weight (g) | 2 |
| 11 | Housing Material | PPS |
| 12 | RoHS | Yes |


THIS DOCUMENT CONTAINS DATE
 PROPRIETARY TO PROJECTS CHANGZHOU ESUNTECH
 CO LTD. ANY USE OR REPRODUCTION,IN ANY FORM,
 WITHOUT PRIOR WRITTEN PERMISSION OF
 PROJECTS CHANGZHOU ESUNTECH CO LTD
 IS PROHIBITED.
 ©2003,Project Changzhou Esuntech Co Ltd

| REVISION HISTORY | | | |
|------------------|---------------------------|-----------|----------|
| LTR | DESCRIPTION | DATE | APPROVED |
| - | RELEASED FROM ENGINEERING | 9/23/2003 | Y M |
| A | | | |
| B | | | |
| C | | | |



NOTES:

- 1.ALL DIMENSIONS ARE IN MILLIMETERS
- 2.SPECIFICATIONS SUBJECT TO CHANGE WITHOUT NOTICE

| SIZE | Designed by | Date | Checked by | Date | Approved by | Date | Drawed date |
|------|-------------|--|------------|------|--------------------------|-------|-------------|
| | A4 |  Changzhou Esuntech Co.,Ltd http://www.esuntech.com.cn | | | EPT1870S-HS-3.6-2.0-25-R | | |
| | TRANSDUCER | | | | Edition | Sheet | |