

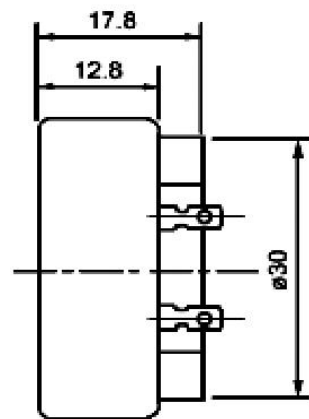
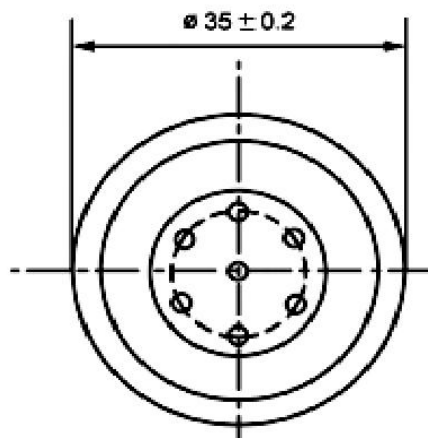
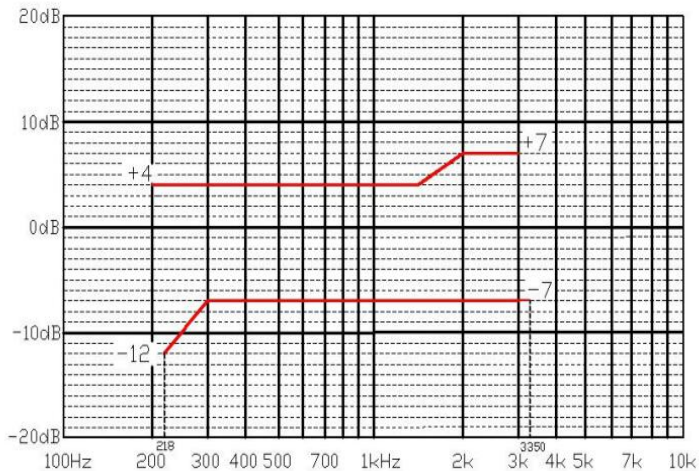
SPECIFICATION		
1	Model No.	ERV35170
2	Diameter	Φ35*17.5mm
3	RATED POWER	10mW.
4	MAX POWER	30mW.
5	Input voltage	60mV (Sine wave) measured with IEC318 coupler
6	Impedance	300±20% Ω(@ 1KHz)
7	SOUND PRESSURE LEVEL	94±3dB SPL @1KHz (0dB SPL=20μPa)
8	THD	less than 5% at 300Hz-3400Hz

f=1KHz,S.P.L=1μBar,VS=4.5-3.0V,Distortion<1%

THIS DOCUMENT CONTAINS DATE PROPRIETARY TO PROJECTS CHANGZHOU ESUNTECH CO LTD. ANY USE OR REPRODUCTION,IN ANY FORM, WITHOUT PRIOR WRITTEN PERMISSION OF PROJECTS CHANGZHOU ESUNTECH CO LTD IS PROHIBITED.

©2003,Project Changzhou Esuntech Co Ltd

REVISION HISTORY			
LTR	DESCRIPTION	DATE	APPROVED
-	RELEASED FROM ENGINEERING	9/23/2003	Y M
A			
B			
C			



NOTES:

- 1. ALL DIMENSIONS ARE IN MILLIMETERS
- 2. SPECIFICATIONS SUBJECT TO CHANGE WITHOUT NOTICE

UNLESS OTHERWISE SPECIFIED. DIMENSIONS ARE IN MILLIMETERS TOLERANCES ARE +/-0.5 AND ANGLES ARE +/-3°	SIZE	Designed by	Date	Checked by	Date	approved by	Date	Drawed date
		A4		EST		ERV35170		
	ERV35170		http://www.esuntech.com.cn		Receiver		Edition	