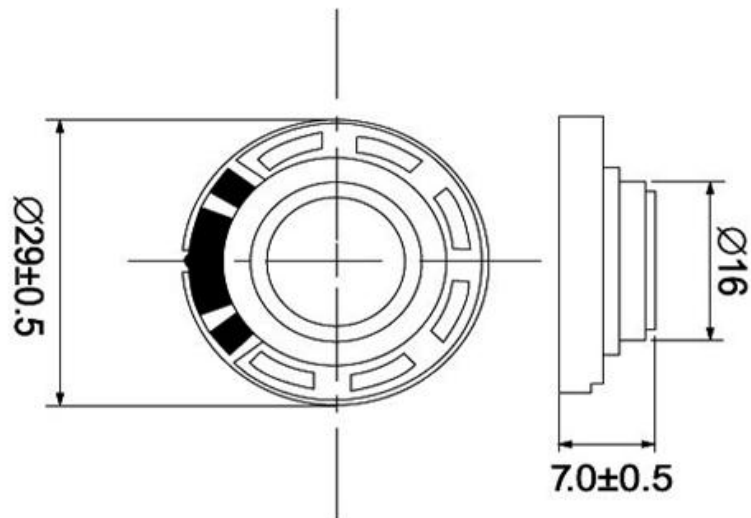
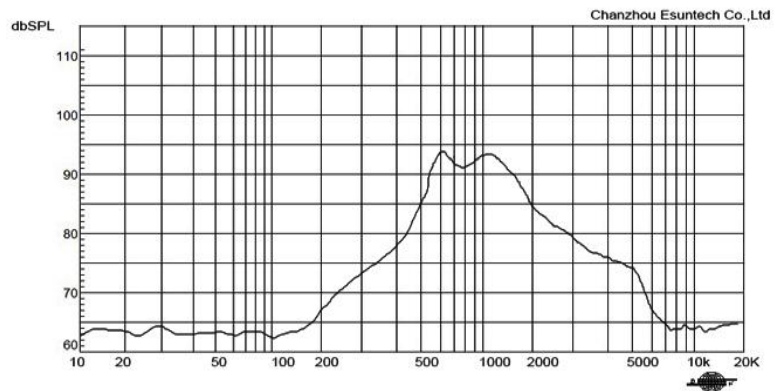


| SPECIFICATION | | |
|---------------|----------------|-----------------------|
| 1 | Model No. | ESP29W-A |
| 2 | Cone Material: | Mylar |
| 3 | Edge: | Paper |
| 4 | Nominal Power: | 0.25w |
| 5 | Maximum Power: | 0.5w |
| 6 | Impedance: | 8/16/32 Ω ±15% |
| 7 | Fo: | 600hz |
| 8 | Response: | Fo-6kHz |
| 9 | S.P.L: | 90±3dB/W/M |
| 10 | Magnet Size: | Ferrit |
| 11 | Rohs | Yes |

THIS DOCUMENT CONTAINS DATE
 PROPRIETARY TO PROJECTS CHANGZHOU ESUNTECH
 CO LTD. ANY USE OR REPRODUCTION,IN ANY FORM,
 WITHOUT PRIOR WRITTEN PERMISSION OF
 PROJECTS CHANGZHOU ESUNTECH CO LTD
 IS PROHIBITED.
 ©2003,Project Changzhou Esuntech Co Ltd




| REVISION HISTORY | | | |
|------------------|---------------------------|-----------|----------|
| LTR | DESCRIPTION | DATE | APPROVED |
| - | RELEASED FROM ENGINEERING | 9/23/2003 | Y M |
| A | | | |
| B | | | |
| C | | | |



NOTES:

- 1.ALL DIMENSIONS ARE IN MILLIMETERS
- 2.SPECIFICATIONS SUBJECT TO CHANGE WITHOUT NOTICE

| SIZE | Designed by | Date | Checked by | Date | Approved by | Date | Drawed date |
|------|--|------|------------|------|-------------|---------|-------------|
| A4 |  EST Changzhou Esuntech Co.,Ltd http://www.esuntech.com.cn | | | | ESP29W-A | | |
| | | | | | SPEAKER | Edition | Sheet |