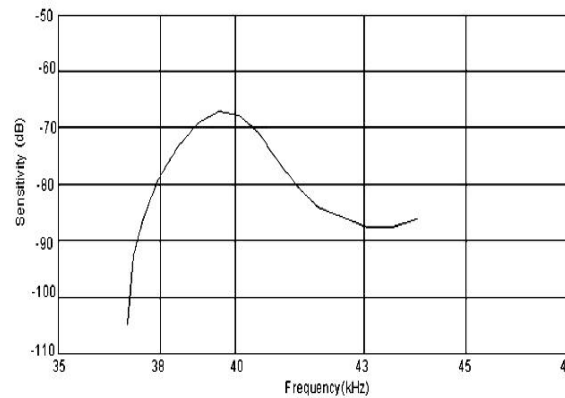
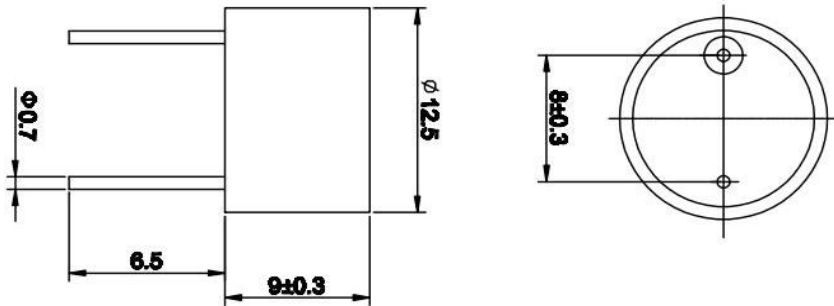
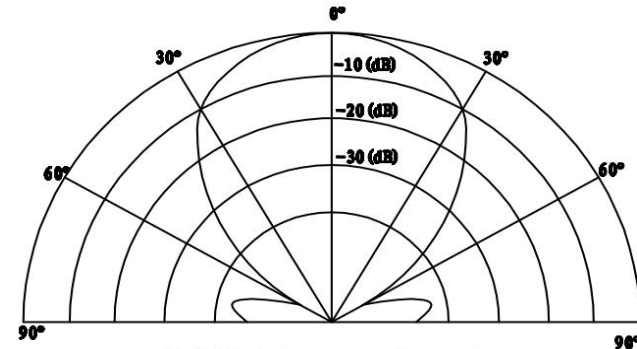


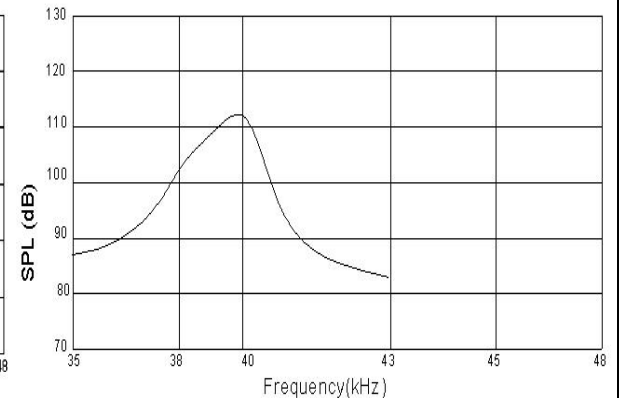
SPECIFICATION		
1	Model No.	EUS12T-40TR-BA
2	Construction	Open
3	Using method	Transmitter or Receiver
4	Nominal Frequency(HZ)	40K
5	Sensitivity (dB)	≥-70dBV/μMbar
6	S P L(dB)	≥ 103 (10V/30cm/sine wave)
7	Directivity	80deg
8	Capacitance(pF)	2000±25%@1KHz
9	Detectable range(M)	0.2....6
10	Operating Temperature(°C)	-20....+80
11	Housing material	Aluminum
12	Weight(g)	1

THIS DOCUMENT CONTAINS DATE  
 PROPRIETARY TO PROJECTS CHANGZHOU ESUNTECH  
 CO LTD. ANY USE OR REPRODUCTION,IN ANY FORM,  
 WITHOUT PRIOR WRITTEN PERMISSION OF  
 PROJECTS CHANGZHOU ESUNTECH CO LTD  
 IS PROHIBITED.  
 ©2003,Project Changzhou Esuntech Co Ltd

REVISION HISTORY			
LTR	DESCRIPTION	DATE	APPROVED
-	RELEASED FROM ENGINEERING	9/23/2003	Y M
A			
B			
C			




SPL-Frequency Characteristics



SPL-Frequency Characteristics

NOTES:

- 1.ALL DIMENSIONS ARE IN MILLIMETERS
- 2.SPECIFICATIONS SUBJECT TO CHANGE WITHOUT NOTICE

SIZE	Designed by	Date	Checked by	Date	Approved by	Date	Drawed date
A4	 <b>EST</b> Changzhou Esuntech Co.,Ltd <a href="http://www.esuntech.com.cn">http://www.esuntech.com.cn</a>			EUS12T-40TR-BA			
				Ultrasonic Sensor	Edition	Sheet	