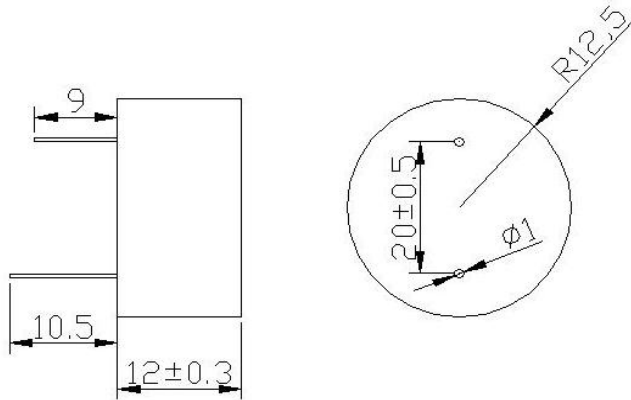


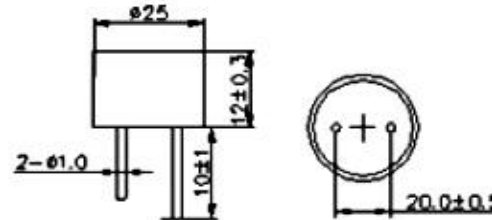
SPECIFICATION		
1	Model No.	EUS25F-40FS-WA
2	Using method	Dual(Tx & Rx)
3	Construction	waterproof
4	Normal Frequency	40kHz
5	SPL	10dB(effective Value 10V/
6	Sensitivity	min.-70dBV/u bar
7	Directivity	30 degrees
8	Capacitance	2200pF+/-25% at 1kHz
9	Detectable Range	Above 6m
10	Housing material	aluminum color or black)
11	Operating Temp.range	-30~+85 °C

THIS DOCUMENT CONTAINS DATE  
 PROPRIETARY TO PROJECTS CHANGZHOU ESUNTECH  
 CO LTD. ANY USE OR REPRODUCTION,IN ANY FORM,  
 WITHOUT PRIOR WRITTEN PERMISSION OF  
 PROJECTS CHANGZHOU ESUNTECH CO LTD  
 IS PROHIBITED.  
 ©2003,Project Changzhou Esuntech Co Ltd

REVISION HISTORY			
LTR	DESCRIPTION	DATE	APPROVED
-	RELEASED FROM ENGINEERING	9/23/2003	Y M
A			
B			
C			

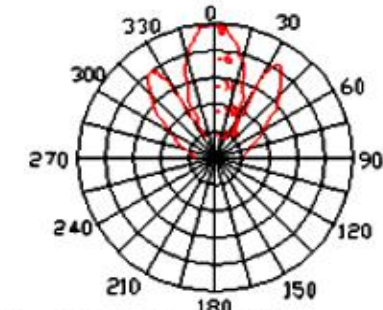


Dimensions dimensions are in mm



Impedance/Phase Angle vs.Frequency  
 Tested under 1Vrms Oscillation Level


Beam Angle Tested at 40.0Khz  
 frequency



Sensitivity/Sound Pressure Level  
 Tested under 10Vrms@30cm

NOTES:

- 1.ALL DIMENSIONS ARE IN MILLIMETERS
- 2.SPECIFICATIONS SUBJECT TO CHANGE WITHOUT NOTICE

SIZE	Designed by	Date	Checked by	Date	Approved by	Date	Drawed date
A4	 <b>EST</b> Changzhou Esuntech Co.,Ltd <a href="http://www.esuntech.com.cn">http://www.esuntech.com.cn</a>			EUS25F-40FS-WA			
				Ultrasonic Sensor	Edition	Sheet	