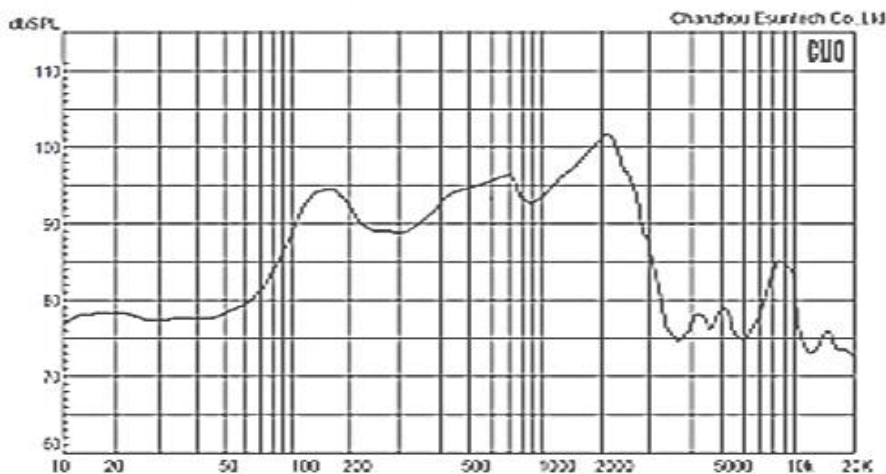
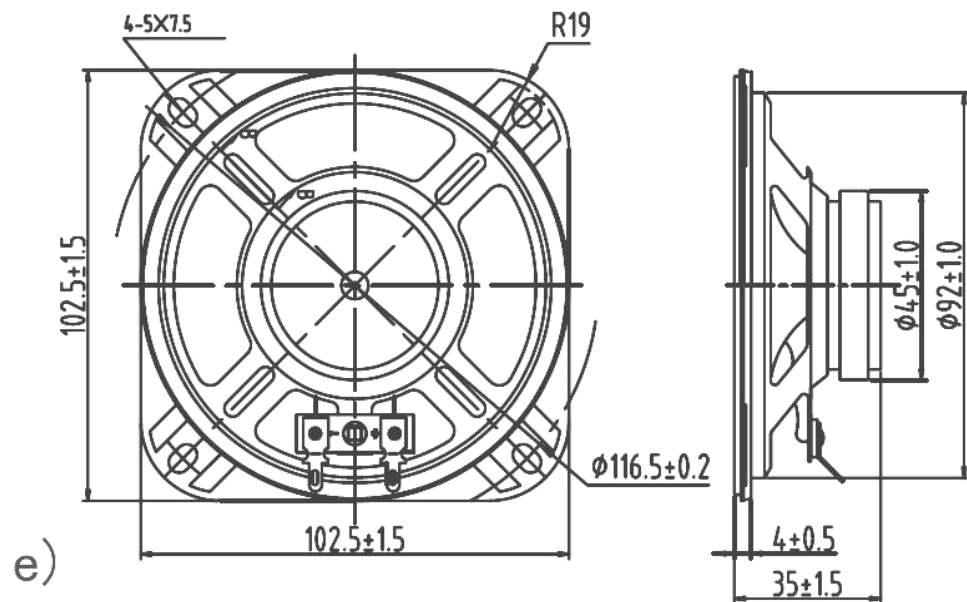



SPECIFICATION		
1	Model No.	YD100-05A-8F45P
2	Diameter:	102×102mm
3	Cone Material:	Paper
4	Edge:	Paper
5	Nominal Power:	3w
6	Maximum Power:	5w
7	Impedance:	8±15%Ω
8	Voice coil:	Φ13.3mm
9	Fo:	140±20%Hz
10	Response:	Fo-8kHz
11	S.P.L:	93±3dB/1W/0.5M
12	Magnet Size:	Φ45×19×8(Ferrite)
13	Net weight:	146g

THIS DOCUMENT CONTAINS DATE
 PROPRIETARY TO PROJECTS CHANGZHOU ESUNTECH
 CO LTD. ANY USE OR REPRODUCTION,IN ANY FORM,
 WITHOUT PRIOR WRITTEN PERMISSION OF
 PROJECTS CHANGZHOU ESUNTECH CO LTD
 IS PROHIBITED.
 ©2003,Project Changzhou Esuntech Co Ltd

REVISION HISTORY			
LTR	DESCRIPTION	DATE	APPROVED
-	RELEASED FROM ENGINEERING	9/23/2003	Y M
A			
B			
C			



NOTES:
 1.ALL DIMENSIONS ARE IN MILLIMETERS
 2.SPECIFICATIONS SUBJECT TO CHANGE
 WITHOUT NOTICE

UNLESS OTHERWISE SPECIFIED. DIMENSIONS ARE IN MILLIMETERS TOLERANCES ARE +/-0.5 AND ANGLES ARE +/-3°	SIZE	Designed by	Date	Checked by	Date	Approved by	Date	Drawed date
	A4	 Changzhou Esuntech Co.,Ltd http://www.esuntech.com.cn		YD100-05A-8F45P				
	YD45-01-8F32P-R			Loudspeaker	Edition	Sheet		