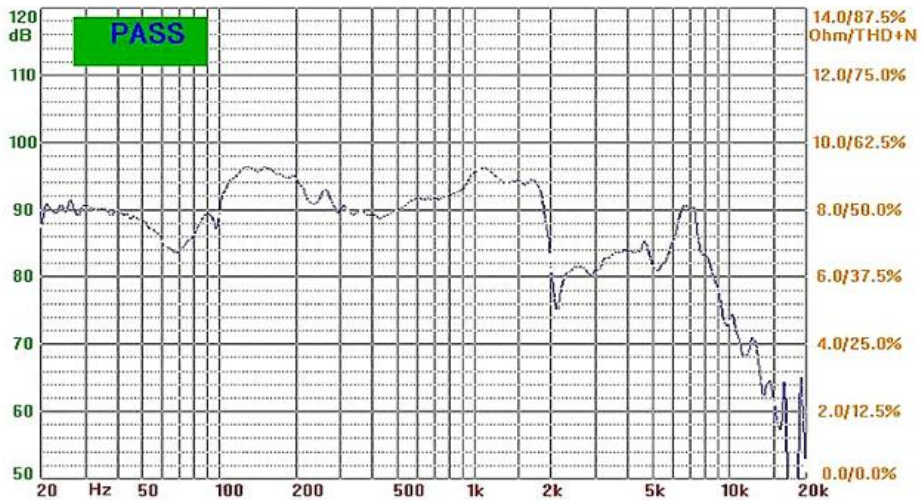
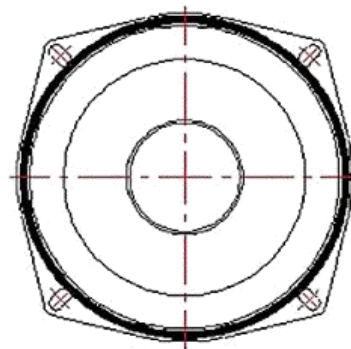
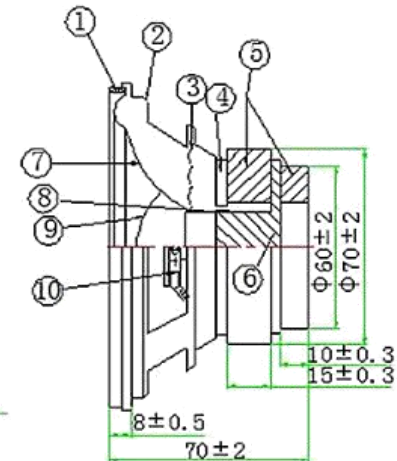
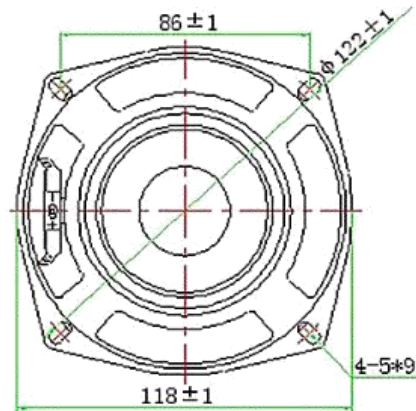


SPECIFICATION		
1	Model No.	YD118-01-5F70P-R
2	Dimension:	118*118*70H mm
3	Cone Material:	Paper
4	Edge:	Foam
5	Nominal Power:	20W
6	Maximum Power:	25W
7	Impedance:	5±15%Ω
8	Voice coil:	Φ25.5mm ASV+Cu
9	Fo:	85±20%Hz
10	Response:	Fo~2KHZ
11	S.P.L:	92±3dB(AT 0.1W/0.1M,AT 0.6.0.8.1.0.1.2 KHz) Φ
12	Magnet Size:	70*32*15mm+60*32*10m m
13	Net weight:	600g±8%

THIS DOCUMENT CONTAINS DATE
 PROPRIETARY TO PROJECTS CHANGZHOU ESUNTECH
 CO LTD. ANY USE OR REPRODUCTION,IN ANY FORM,
 WITHOUT PRIOR WRITTEN PERMISSION OF
 PROJECTS CHANGZHOU ESUNTECH CO LTD
 IS PROHIBITED.
 ©2003,Project Changzhou Esuntech Co Ltd



REVISION HISTORY			
LTR	DESCRIPTION	DATE	APPROVED
-	RELEASED FROM ENGINEERING	9/23/2003	Y M
A			
B			
C			



NOTES:
 1.ALL DIMENSIONS ARE IN MILLIMETERS
 2.SPECIFICATIONS SUBJECT TO CHANGE
 WITHOUT NOTICE

UNLESS OTHERWISE SPECIFIED. DIMENSIONS ARE IN MILLIMETERS TOLERANCES ARE +/-0.5 AND ANGLES ARE +/-3°	SIZE	Designed by	Date	Checked by	Date	Approved by	Date	Drawed date
	A4				YD118-01-5F70P-R			
	YD45-01-8F32P-R				Changzhou Esuntech Co.,Ltd http://www.esuntech.com.cn	Loudspeaker	Edition	Sheet