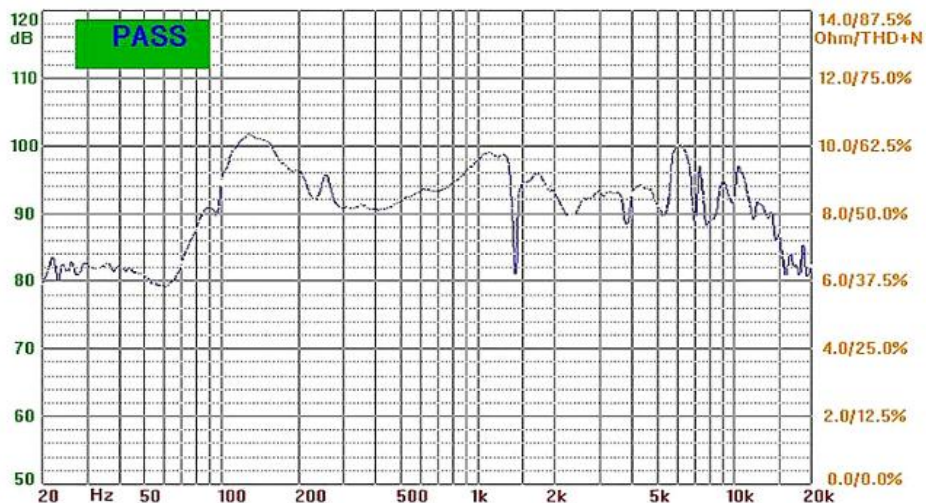
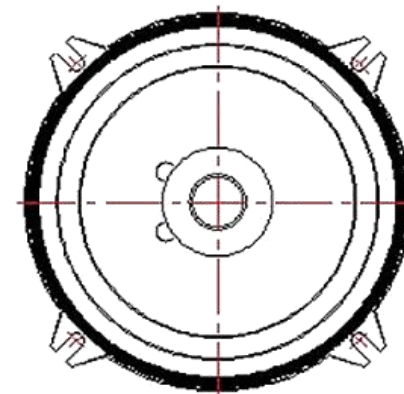
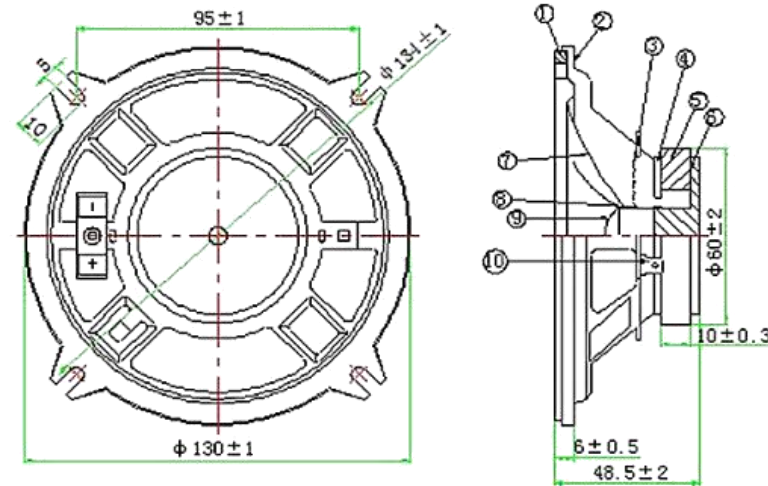


SPECIFICATION		
1	Model No.	YD130-52-8F60P-R
2	Dimension:	130*48.5H mm
3	Cone Material:	Paper
4	Edge:	Foam
5	Nominal Power:	30W
6	Maximum Power:	35W
7	Impedance:	8Ω±15%Ω
8	Voice coil:	Φ19.45mm ASV+Cu
9	Fo:	120±20%
10	Response:	Fo~20KHZ
11	S.P.L:	93±3dB(AT 0.1W/0.1M,Average of 0.6.0.8.1.0.1.2 KHZ)
12	Magnet Size:	Φ60*32*10mm Y30
13	Net weight:	300g±8%


THIS DOCUMENT CONTAINS DATE  
 PROPRIETARY TO PROJECTS CHANGZHOU ESUNTECH  
 CO LTD. ANY USE OR REPRODUCTION,IN ANY FORM,  
 WITHOUT PRIOR WRITTEN PERMISSION OF  
 PROJECTS CHANGZHOU ESUNTECH CO LTD  
 IS PROHIBITED.  
 ©2003,Project Changzhou Esuntech Co Ltd



REVISION HISTORY			
LTR	DESCRIPTION	DATE	APPROVED
-	RELEASED FROM ENGINEERING	9/23/2003	Y M
A			
B			
C			



NOTES:  
 1.ALL DIMENSIONS ARE IN MILLIMETERS  
 2.SPECIFICATIONS SUBJECT TO CHANGE  
 WITHOUT NOTICE

UNLESS OTHERWISE SPECIFIED. DIMENSIONS ARE IN MILLIMETERS TOLERANCES ARE +/-0.5 AND ANGLES ARE +/-3°	SIZE	Designed by	Date	Checked by	Date	Approved by	Date	Drawed date	
									
	A4								
	YD45-01-8F32P-R	Changzhou Esuntech Co.,Ltd http://www.esuntech.com.cn	Loudspeaker	Edition	Sheet				

