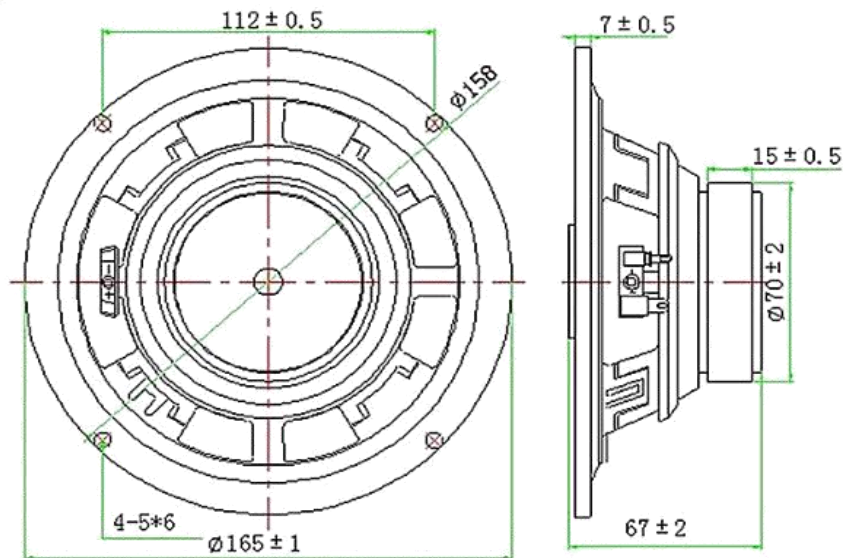


SPECIFICATION		
1	Model No.	YD165-01-8F70P-R
2	Dimension:	Φ165*67H mm
3	Cone Material:	Injection
4	Edge:	Waterproof
5	Nominal Power:	30W
6	Maximum Power:	60W
7	Impedance:	8±15%Ω
8	Voice coil:	Φ25.5mm Aluminum
9	Fo:	90±20%Hz
10	Response:	Fo~18KHZ
11	S.P.L.:	90±3dB(at0.1W/0.1m, 0.5, 0.8, 1, 2 KHZ)
12	Magnet Size:	Φ70*32*15mm
13	Net weight:	580g±8%

THIS DOCUMENT CONTAINS DATE  
 PROPRIETARY TO PROJECTS CHANGZHOU ESUNTECH  
 CO LTD. ANY USE OR REPRODUCTION,IN ANY FORM,  
 WITHOUT PRIOR WRITTEN PERMISSION OF  
 PROJECTS CHANGZHOU ESUNTECH CO LTD  
 IS PROHIBITED.  
 ©2003,Project Changzhou Esuntech Co Ltd

REVISION HISTORY			
LTR	DESCRIPTION	DATE	APPROVED
-	RELEASED FROM ENGINEERING	9/23/2003	Y M
A			
B			
C			



NOTES:  
 1.ALL DIMENSIONS ARE IN MILLIMETERS  
 2.SPECIFICATIONS SUBJECT TO CHANGE  
 WITHOUT NOTICE

UNLESS OTHERWISE SPECIFIED. DIMENSIONS ARE IN MILLIMETERS TOLERANCES ARE +/-0.5 AND ANGLES ARE +/-3°	SIZE	Designed by	Date	Checked by	Date	Approved by	Date	Drawed date
		 <b>EST</b>						
	A4	Changzhou Esuntech Co.,Ltd http://www.esuntech.com.cn					YD165-01-8F70P-R	
YD45-01-8F32P-R						Loudspeaker	Edition	Sheet