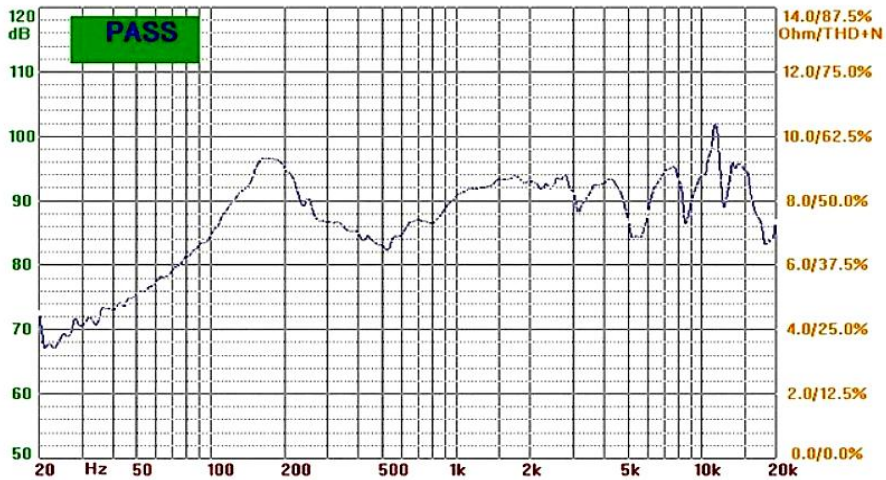
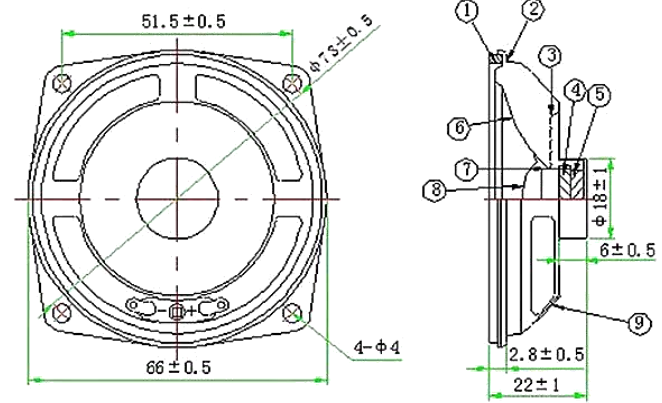


SPECIFICATION		
1	Model No.	YD66-34-4F12.5P-R
2	Dimension:	66*66*22H mm
3	Cone Material:	Paper
4	Edge:	Foam
5	Nominal Power:	3W
6	Maximum Power:	5W
7	Impedance:	4±15%Ω
8	Voice coil:	Φ13.28mm PL+Cu
9	Fo:	200±20%Hz
10	Response:	Fo~20KHZ
11	S.P.L:	88±3dB(AT 0.1M/0.1W, AT 0.6,0.8,1.0,1.2KHZ)
12	Magnet Size:	Φ12.5*3mm
13	Net weight:	23g±8%

THIS DOCUMENT CONTAINS DATE
 PROPRIETARY TO PROJECTS CHANGZHOU ESUNTECH
 CO LTD. ANY USE OR REPRODUCTION,IN ANY FORM,
 WITHOUT PRIOR WRITTEN PERMISSION OF
 PROJECTS CHANGZHOU ESUNTECH CO LTD
 IS PROHIBITED.
 ©2003 Project Changzhou Esuntech Co Ltd

REVISION HISTORY			
LTR	DESCRIPTION	DATE	APPROVED
-	RELEASED FROM ENGINEERING	9/23/2003	Y M
A			
B			
C			



NOTES:
 1.ALL DIMENSIONS ARE IN MILLIMETERS
 2.SPECIFICATIONS SUBJECT TO CHANGE
 WITHOUT NOTICE

UNLESS OTHERWISE SPECIFIED. DIMENSIONS ARE IN MILLIMETERS TOLERANCES ARE +/-0.5 AND ANGLES ARE +/-3°	SIZE	Designed by	Date	Checked by	Date	Approved by	Date	Drawed date
	A4	 Changzhou Esuntech Co.,Ltd http://www.esuntech.com.cn				YD66-34-4F12.5P-R		
	YD45-01-8F32P-R					Loudspeaker	Edition	Sheet