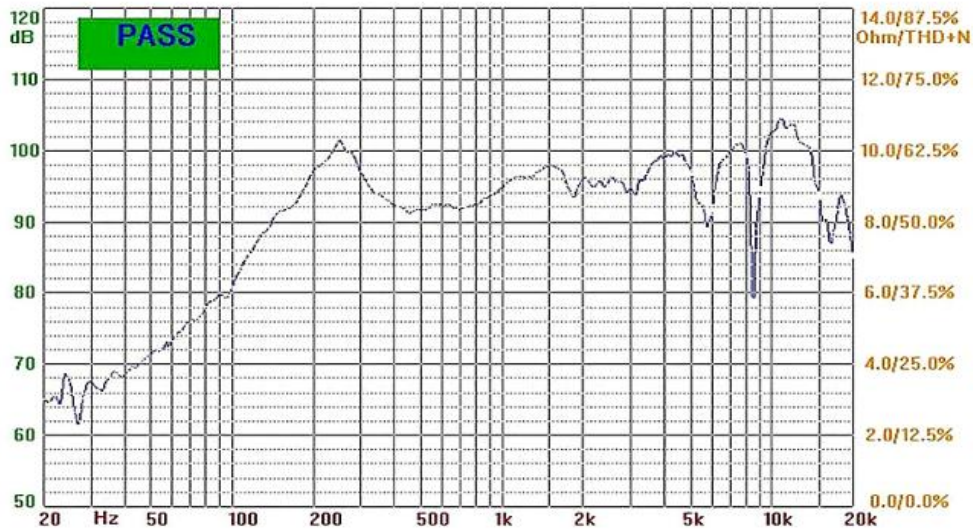
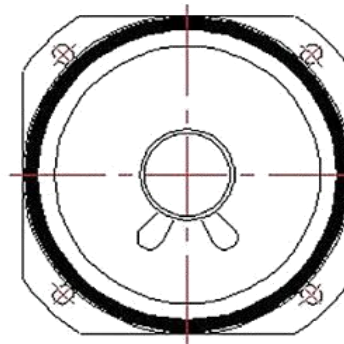
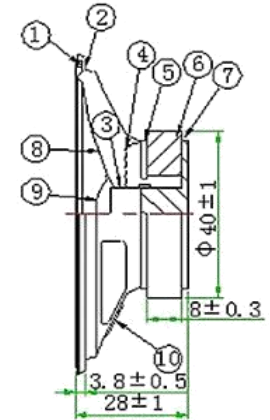
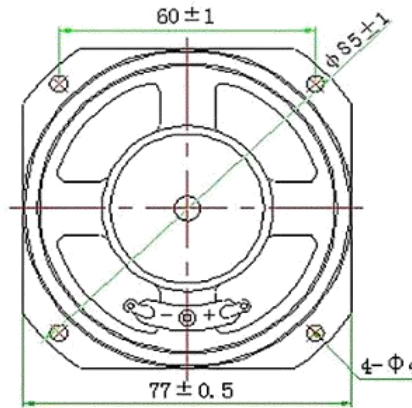


| SPECIFICATION |                |   |
|---------------|----------------|---|
| 1             | Model No.      | YD77-43-8F40P-R                             |
| 2             | Dimension:     | 77*77*28H mm                                |
| 3             | Cone Material: | Paper                                       |
| 4             | Edge:          | Foam  |
| 5             | Nominal Power: | 5W  |
| 6             | Maximum Power: | 6W  |
| 7             | Impedance:     | 8±15%Ω                                      |
| 8             | Voice coil:    | Φ13.28mm KSV+Cu                             |
| 9             | Fo:            | 250±20%Hz                                   |
| 10            | Response:      | Fo~20KHZ                                    |
| 11            | S.P.L.:        | 93±3dB(AT 0.1M/0.1W, AT 0.6,0.8,1.0,1.2KHZ) |
| 12            | Magnet Size:   | Φ40*19*8mm                                  |
| 13            | Net weight:    | 100g±8%                                     |

THIS DOCUMENT CONTAINS DATE  
 PROPRIETARY TO PROJECTS CHANGZHOU ESUNTECH  
 CO LTD. ANY USE OR REPRODUCTION,IN ANY FORM,  
 WITHOUT PRIOR WRITTEN PERMISSION OF  
 PROJECTS CHANGZHOU ESUNTECH CO LTD  
 IS PROHIBITED.  
 ©2003,Project Changzhou Esuntech Co Ltd



| REVISION HISTORY |                           |           |          |
|------------------|---------------------------|-----------|----------|
| LTR              | DESCRIPTION               | DATE      | APPROVED |
| -                | RELEASED FROM ENGINEERING | 9/23/2003 | Y M      |
| A                |                           |           |          |
| B                |                           |           |          |
| C                |                           |           |          |



NOTES:  
 1.ALL DIMENSIONS ARE IN MILLIMETERS  
 2.SPECIFICATIONS SUBJECT TO CHANGE  
 WITHOUT NOTICE

|  |                 |  |      |            |      |                 |         |             |
|--|-----------------|--|------|------------|------|-----------------|---------|-------------|
| UNLESS OTHERWISE SPECIFIED. DIMENSIONS ARE IN MILLIMETERS TOLERANCES ARE +/-0.5 AND ANGLES ARE +/-3° | SIZE            | Designed by  | Date | Checked by | Date | Approved by     | Date    | Drawed date |
|  | A4              | <br>Changzhou Esuntech Co.,Ltd<br><a href="http://www.esuntech.com.cn">http://www.esuntech.com.cn</a> |      |            |      | YD77-43-8F40P-R |         |             |
|  | YD45-01-8F32P-R |  |      |            |      | Loudspeaker     | Edition | Sheet       |