

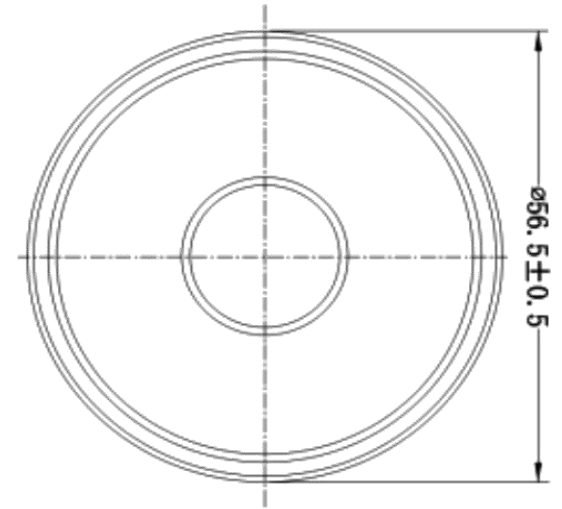
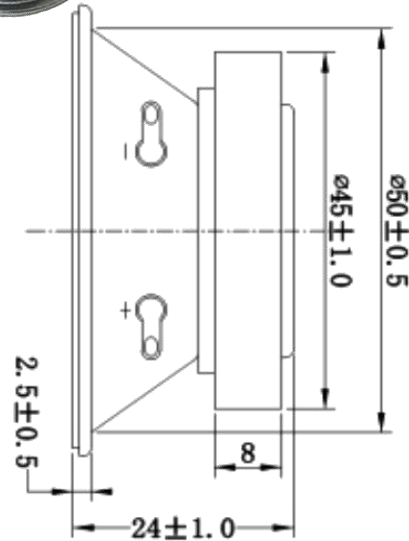
SPECIFICATION		
1	Model No.	YDG57-03-8F45M-R
2	Dimension:	Φ50*17H mm
3	Cone Material:	Mylay
4	Edge:	Paper
5	Nominal Power:	5W
6	Maximum Power:	6W
7	Impedance:	8Ω±15%Ω
8	Voice coil:	
9	Fo:	1160±20%
10	Response:	Fo~11KHZ 93±3dB(1 Watt,1Meter.Average at 800, 1000, 1200, 1500HZ.)
11	S.P.L:	
12	Magnet Size:	Φ45
13	Net weight:	87.7g±0.5

THIS DOCUMENT CONTAINS DATE
 PROPRIETARY TO PROJECTS CHANGZHOU ESUNTECH
 CO LTD. ANY USE OR REPRODUCTION,IN ANY FORM,
 WITHOUT PRIOR WRITTEN PERMISSION OF
 PROJECTS CHANGZHOU ESUNTECH CO LTD
 IS PROHIBITED.
 ©2003,Project Changzhou Esuntech Co Ltd

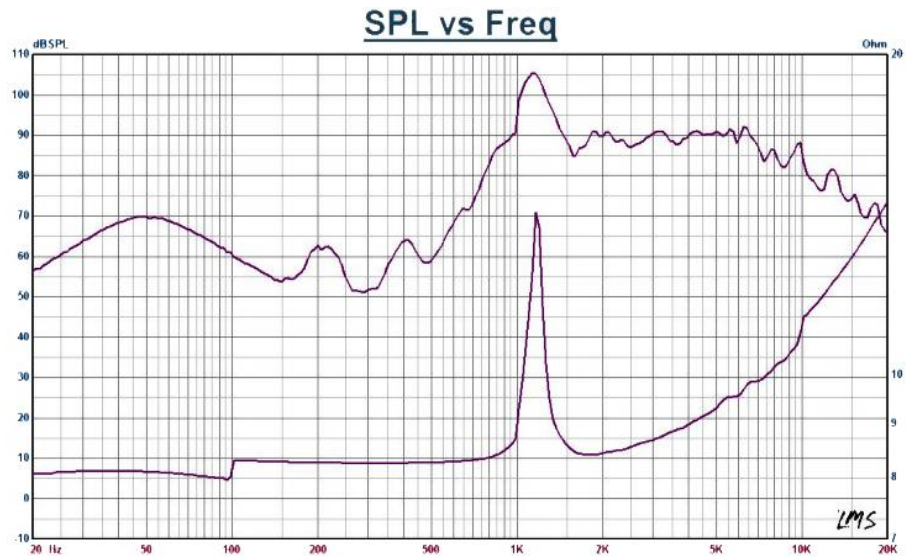
REVISION HISTORY			
LTR	DESCRIPTION	DATE	APPROVED
-	RELEASED FROM ENGINEERING	9/23/2003	Y M
A			
B			
C			



www.esuntech.com.cn



Package: 41.5*33*25.3cm/240pcs/25kg



NOTES:
 1.ALL DIMENSIONS ARE IN MILLIMETERS
 2.SPECIFICATIONS SUBJECT TO CHANGE
 WITHOUT NOTICE

UNLESS OTHERWISE SPECIFIED. DIMENSIONS ARE IN MILLIMETERS TOLERANCES ARE +/-0.5 AND ANGLES ARE +/-3°	SIZE	Designed by	Date	Checked by	Date	Approved by	Date	Drawed date
	A4				YDG57-03-8F45M-R			
	YDG57-03-8F45M-R							